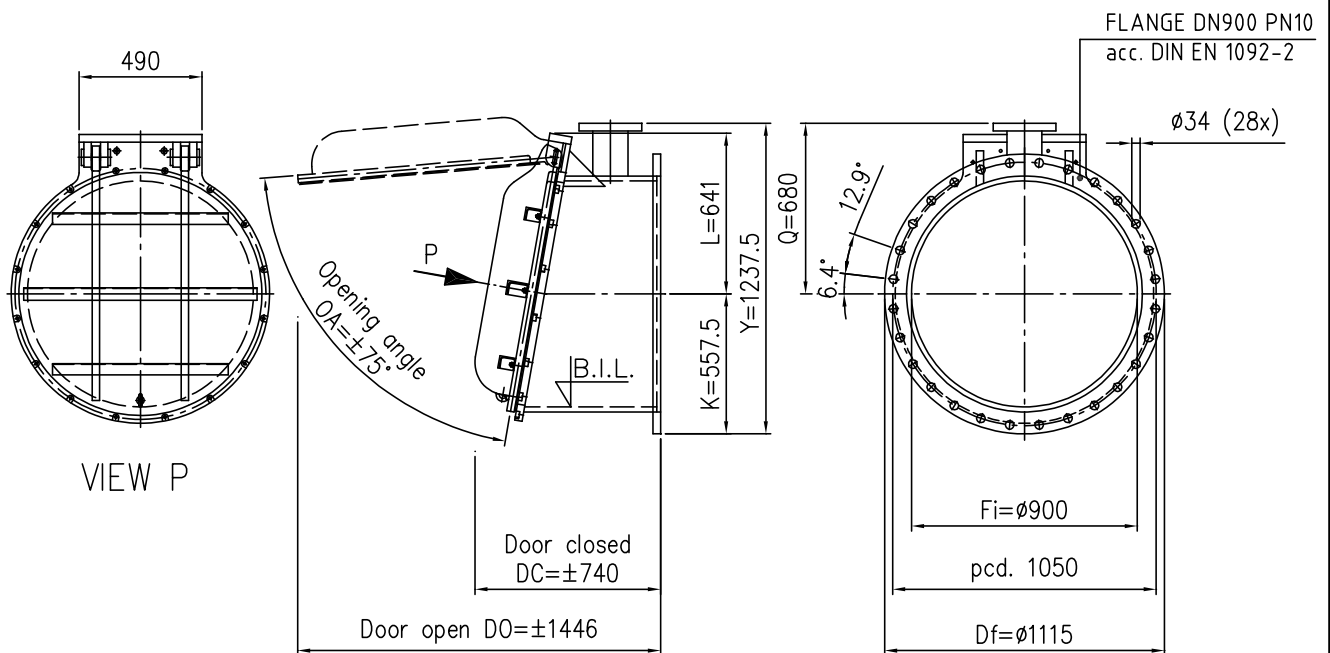
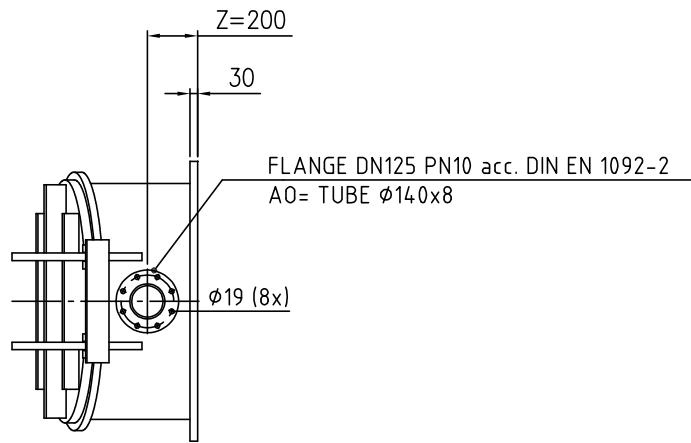

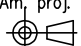


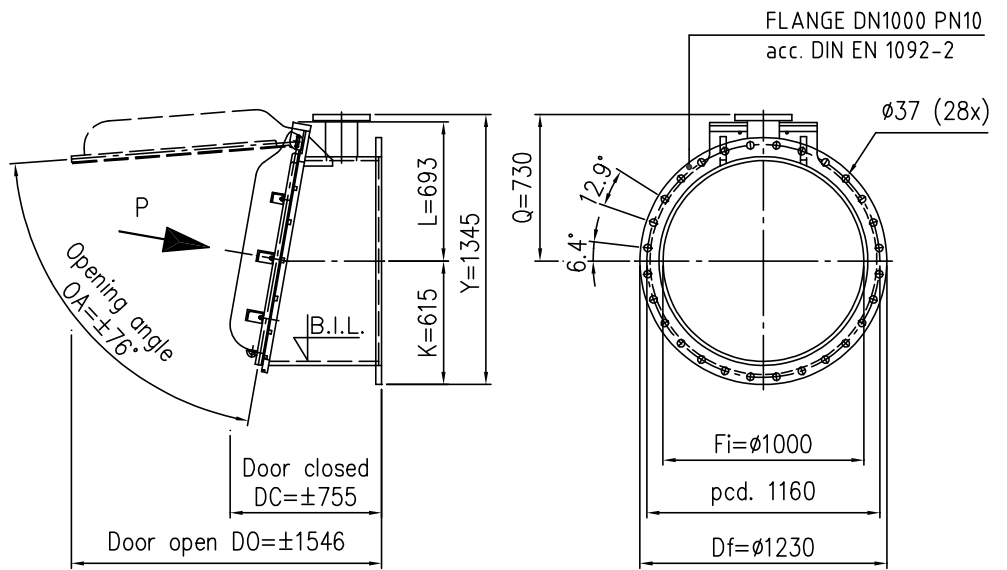
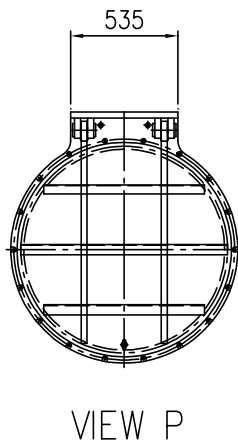
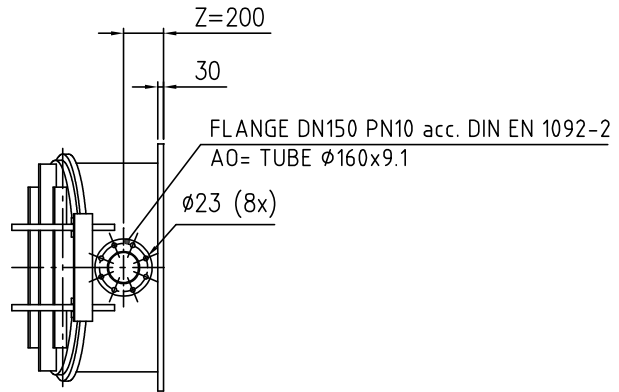
MODIFICATIONS RESERVED
 THIS DRAWING IS THE COPYRIGHT PROPERTY OF TBS SOEST bv
 UNLESS AUTHORIZED IN WRITING REPRODUCTION OR COMMUNICATING ITS CONTENTS IS PROHIBITED




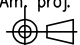
MAX. LOAD from Bottom Invert Level (B.I.L.):
 1.9 MWC long period (50 years)
 5 MWC short period (72 hours)

Rev. code	Revision		Drawn	Date
Material	HDPE/SS316	Product/name		
Tolerances acc. to NEN-ISO 2768-c unless otherwise specified.		FLAP VALVE PWK900F		
 TBS SOEST bv <small>GESPECIALISEERD IN PRODUCTEN VOOR WEGEN - EN WATERBOUW</small>		Drawn: AS	Appr:	Date: 26-08-03
		Scale: 1:20	Units [mm] ±	Dept: doc
		Am _i proj.	Drawingnr.	Rev.
		 A3	PWK090F-DOC	-

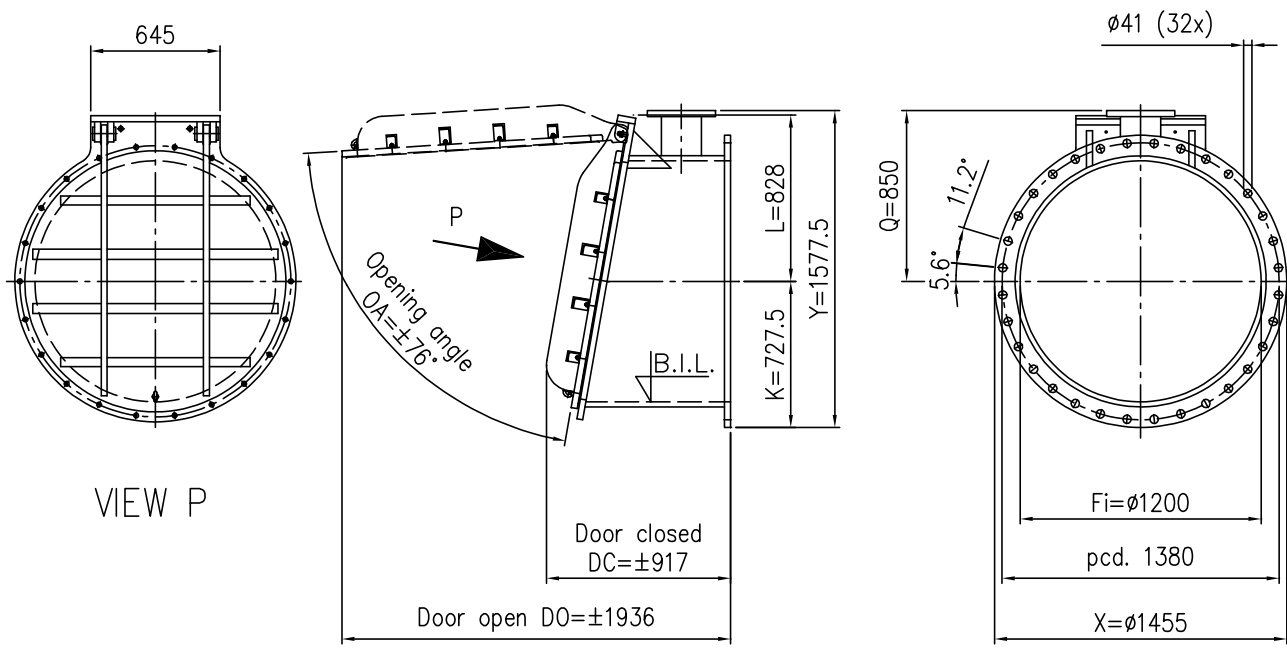
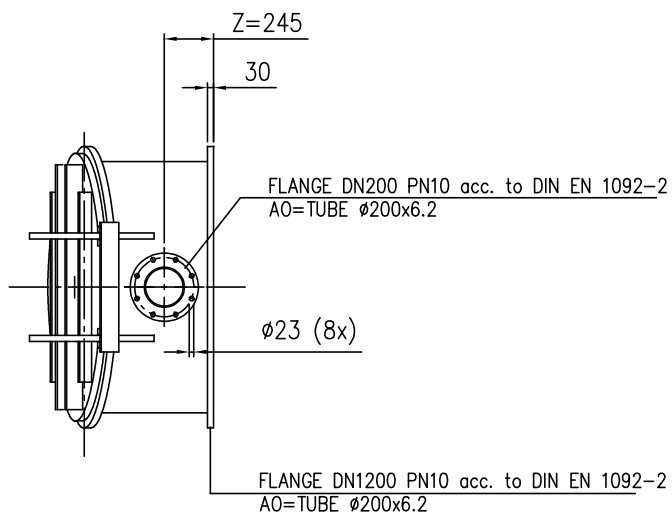
MODIFICATIONS RESERVED
 THIS DRAWING IS THE COPYRIGHT PROPERTY OF TBS SOEST BV
 UNLESS AUTHORIZED IN WRITING REPRODUCTION OR COMMUNICATING ITS CONTENTS IS PROHIBITED




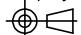
MAX. LOAD from Bottom Invert Level (B.I.L.):
 2 MWC long period (50 years)
 5 MWC short period (72 hours)

Rev. code	Revision		Drawn	Date	Appr.
Material	HDPE/SS316	Product/name FLAP VALVE PWK1000F			
Tolerances acc. to NEN-ISO 2768- unless otherwise specified.		Drawn: Hc	Appr:	Date: 14-01-2004	Dept: doc
 TBS SOEST bv <small>GESPECIALiseerd in producten voor WEGEN - en WATERBUWEN</small>		Scale: 1:25	Units [mm] ±	Sheet: 1/1	
		Am ₁ proj. 	A3	Drawingnr. PWK100F-DOC	Rev. -

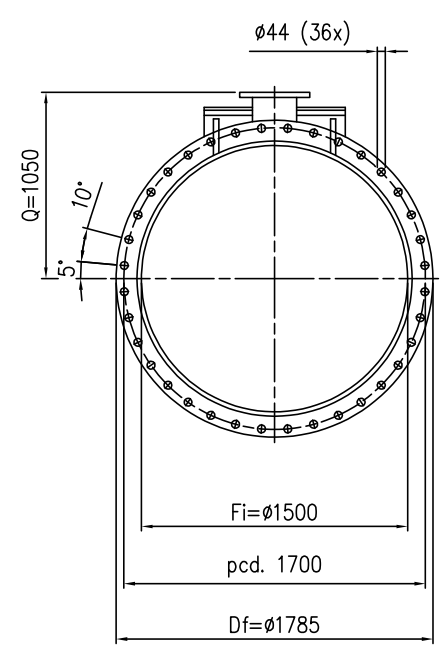
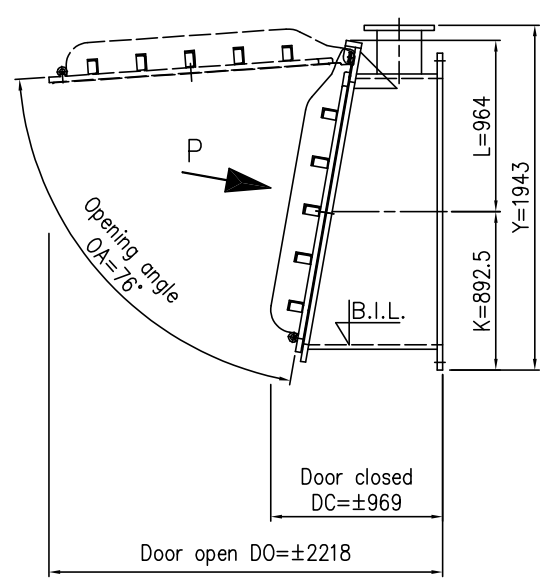
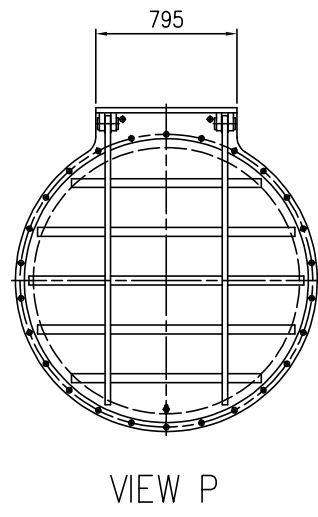
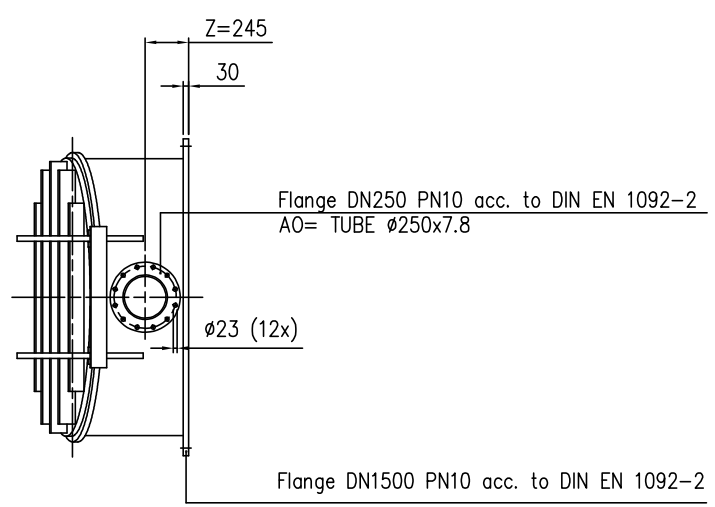
MODIFICATIONS RESERVED
 THIS DRAWING IS THE COPYRIGHT PROPERTY OF TBS SOEST BV
 UNLESS AUTHORIZED IN WRITING REPRODUCTION OR COMMUNICATING ITS CONTENTS IS PROHIBITED



MAX. LOAD from Bottom Invert Level (B.I.L.)
 2.2 MWC long period (= 50 years)
 5 MWC short period (= 72 hours)

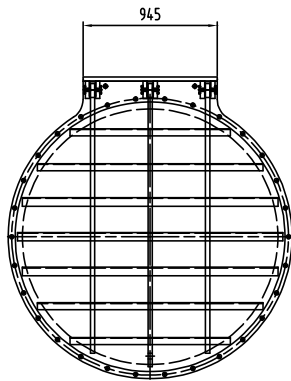
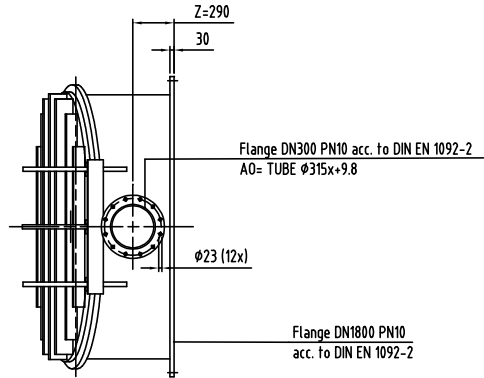
Rev. code	Revision		Drawn	Date
Material	HDPE/ SS	Product/name		
Tolerances acc. to NEN-ISO 2768- unless otherwise specified.		FLAP VALVE PWK1200F		
 TBS SOEST bv <small>GESPECIALISEERD IN PRODUCTEN VOOR MEER - EN WATERBUW</small>		Drawn: HC	Appr:	Date: 14-01-2004
		Scale: 1:25	Units [mm] \pm	Dept: DOC
		Am. proj.	Drawingnr.	Rev.
		 A3	PWK120F-DOC	-

ILLUSTRATIONS RESERVED
 THIS DRAWING IS THE PROPERTY OF TBS SOEST BY
 UNLESS AUTHORIZED IN WRITING REPRODUCTION OR COMMUNICATION OF ITS CONTENTS IS PROHIBITED

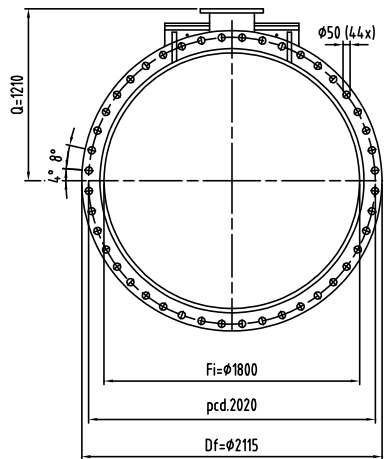
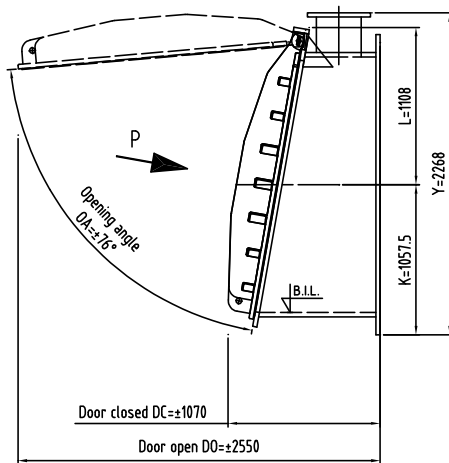


MAX. LOAD from Bottom Invert Level (B.I.L.)
 2.5 MWC long period (= 50 years)
 5 MWC short period (= 72 hours)

Rev. code	Revision	Drawn	Date	Appr.
Material	HDPE/ SS	Product/name FLAP VALVE PWK1500F		
Tolerances acc. to NEN-ISO 2768- unless otherwise specified.				
		Drawn: hc	Appr:	Date: 14-01-2004
		Scale: 1:20	Units [mm] ±	Dept: DOC
		Am. proj.	Drawingnr.	Sheet: 1/1
		A2	PWK150F-DOC	Rev. -



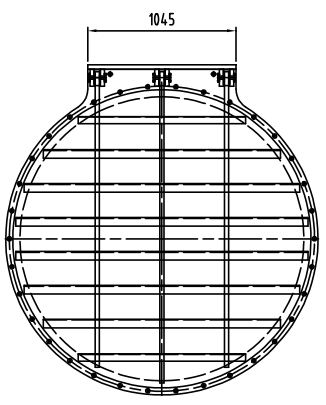
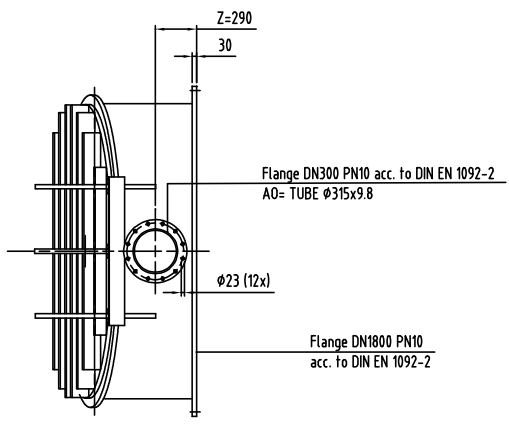
VIEW P



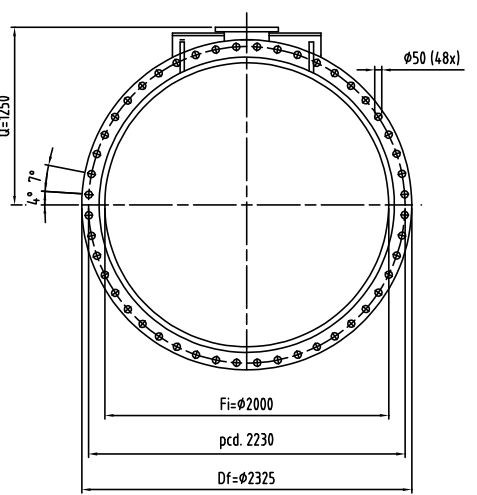
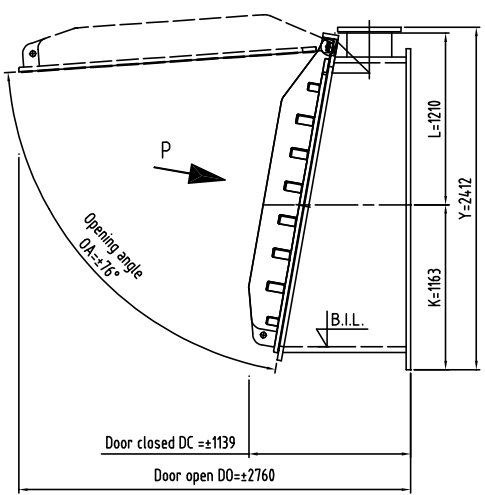
MAX. LOAD from Bottom Invert Level (B.I.L.):
 2.5 MWC long period (= 50 years)
 5 MWC short period (= 72 hours)

Rev. code	Revision	Material	Product/name	Drawn	Date	Appr.
		HDPE/ SS	FLAP VALVE PWK1800F			
Tolerances acc. to NEN-ISO 2768- unless otherwise specified.			Drawn: Hc	Appr:	Date: 14-01-2004	Dept: DOC
			Scale: 1:25	Units [mm] z		Sheet: 1/1
			Am. proj.	A 2	Drawingnr. PWK180F-DOC	Rev. -

WAFU/TAKE RESERV
 THIS DRAWING IS THE PROPERTY OF TBS SOEST BY
 UNLESS AUTHORIZED IN WRITING REPRODUCTION OR COMMUNICATIONS IS PROHIBITED



VIEW P



MAX. LOAD from Bottom Invert Level (B.I.L.):
 2.5 MWC long period (= 50 years)
 5 MWC short period (= 72 hours)

Rev. code	Revision	Product/name	Drawn	Date	Appr.
		FLAP VALVE PWK2000F			
Material	HDPE/ SS	Tolerances acc. to NEN-ISO 2768- unless otherwise specified.			
Drawn: Hc	Appr:	Date: 14-01-2004	Dept: DOC		
Scale: 1:25	Units [mm] ±		Sheet: 1/1		
		Am. proj.	A 2	Drawingnr. PWK200F-DOC	Rev. -